

*Accsoon*

# CineView 2 SDI

U s e r M a n u a l

# CineView 2 SDI

## CONTENTS

Product Description	05	Warranty	17
Product Feature	05	Safety Information	18
Introduction	06	FCC Interference Statement	18
Specification	15	Contact us	19
FAQ	16		

## 目录

认识 CineView 2 SDI	21	保修说明	34
产品概述	22	售后支持	34
使用说明	23	安全信息	35
产品规格	32	联系我们	35
常见问题	33		

## In the Box



Transmitter \* 1



Receiver \* 1



Cold shoe mount adapter \* 2



Short antenna \* 4



User manual / Warranty card \* 1



Long antenna \* 4

## Product Description

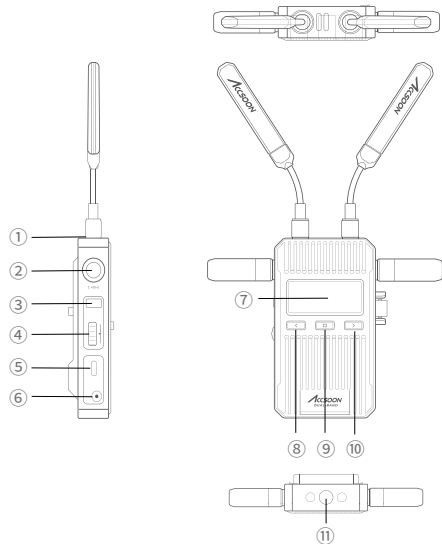
The Accsoon CineView 2 SDI is a next-generation 1080P wireless video transmission system featuring a massive 1500ft/450m range (line-of-sight). It offers even greater stability than its predecessors and an impressive latency of less than 50ms. The CineView 2 SDI uses the Accsoon Dual-Band (US patent granted) transmission technology which takes the same video frame and sends it on both 2.4GHz and 5GHz frequencies at the same time for an inherently more stable wireless connectivity on set.

## Product Feature

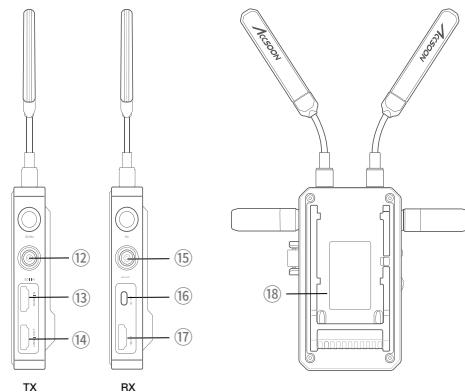
- High Reliability 2.4GHz+5GHz Dual-Band Transmission Technology
- Extreme Low Latency of Less Than 50ms
- Long-Range Transmission Range Up to 1500ft/450m
- SDI & HDMI Input/Output, HDMI Loop-Out, UVC Out
- SDI to HDMI Pass-through
- Monitoring on Up to 4 Devices, Mix and Match
- Silent Fanless Design
- Power with NP-F battery, DC or 5V 2A USB-C power
- Monitoring Made Simple with Accsoon SEE App
- Automatic Channel Selection

# Introduction

## Accsoon CineView 2 SDI



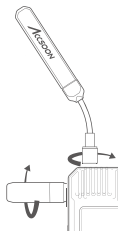
① 5G Antenna Connector	⑤ USB-C Power Input (5V/2A)
② 2.4G Antenna Connector	⑥ DC Power Input
③ Power On/Off Button	⑦ LCD Display
④ Group Setting Knob	⑧ Left Button



⑨ Menu/OK Button	⑭ HDMI Loop-Out
⑩ Right Button	⑮ SDI Out
⑪ Anti-rotation 1/4" Screw Hole	⑯ UVC Out
⑫ SDI In	⑰ HDMI Out
⑬ HDMI In	⑱ NP-F Battery Slot

## How to Install

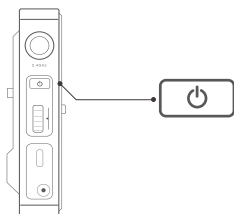
1. Install the antennas as shown in the picture.
2. Use the cold shoe mount adapter to install the CineView 2 SDI onto the camera or camera cage.
3. Use an NP-F970/F750/F550 battery, DC or USB-C source to power the CineView 2 SDI.
4. Connect the camera to the CineView 2 SDI transmitter.



## Power On/Off

**Power On:** Press the power on/off button

**Power Off:** Press and hold the power on/off button for 2 seconds

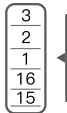


## Group Setting

1. CineView 2 SDI has a group setting knob on each transmitter and receiver. If the transmitter and receiver are set to the same group, they will be paired and connected automatically; otherwise, they will not be paired and connected.

2. If you want to connect multiple receivers (up to 4) to one transmitter at the same time, simply set all receivers and transmitters to the same group.

3. If you want to use more than one group for monitoring under the same application, you need to differentiate the setting of each group.

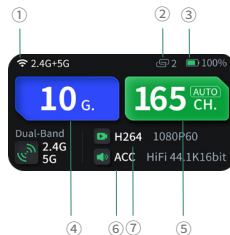


1. If you change the grouping settings after the product has been powered on, a reboot is required for the changes to take effect.
2. After changing the group setting, you need to reconnect the transmitter and receiver at close range, otherwise it may fail to pair and connect.



## LCD Display

- ① Wi-Fi signal status
- ② Connection status
- ③ Battery level
- ④ Current group
- ⑤ Current wireless channel
- ⑥ Input audio information
- ⑦ Input video information



## Connection Status:

Transmitter: the number of connected devices; "0" if none connected.

Receiver: "1" when connected to the transmitter; otherwise "0".

## Data Rate Setting

### ① High Quality Mode (HQ)

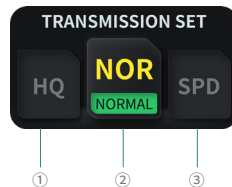
Ideal for applications with low interference or within short distance

### ② Normal Mode (NOR)

Default setting

### ③ Speed Mode (SPD)

Ideal for applications with high interference or long distance.



## How to:

- ① Press the menu button to access “Data Rate Setting”.
- ② Press the left and right buttons to select.
- ③ Press the menu button to activate the setting.

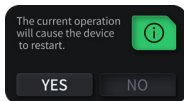
## Channel Setting

1. Only the transmitter has the “Channel Setting” menu.
2. The default channel setting is Auto (A). CineView 2 SDI will automatically select the channel with the least interference when it is powered on.

It is recommended that users do not change this setting.



3. If the user needs to change the channel, please: Press the menu button twice to enter “Channel Setting” → Press the left and right buttons to select → Press the menu button to confirm → Select “Yes” → Press the menu button to confirm and the setting will take effect after reboot.



## Network Reset

1. Only the transmitter has the “Network Reset” menu.
2. Users can reset the Wi-Fi SSID and password to factory settings by “Network Reset” menu.

## How to:

- ① Press the menu button 3 times to enter “Network Reset” → Select “Yes”

② Press the menu button to confirm → Select “Yes”

③ Press the menu button to reboot, the SSID and password of the 5G Wi-Fi will be reset to factory settings.

## App Monitoring

### 1. App download

Please download the App – Accsoon SEE from Google Play Store or iOS App Store.

### 2. Connect the CineView 2 SDI with the App

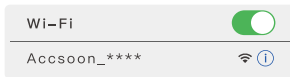
Open the Wi-Fi settings on your mobile devices.

Find “Accsoon\_\*\*\*\*” and select it.

Enter the default password “12345678” to connect.

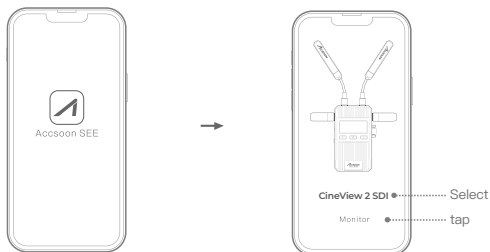
a. \*\*\*\* refers to the four characters consisting of numbers and letters that are unique to each product.

b. CineView 2 SDI has two Wi-Fi signals. One is 2.4GHz and another is 5GHz. Please confirm the mobile devices are connected to the 5GHz Wi-Fi, named “Accsoon\_\*\*\*\*”.



### 3. Monitoring

Once successfully connected, open the Accsoon SEE App, select “CineView”, and then the “MONITOR” button to start the monitoring.



If you have any questions about using Accsoon SEE App, please refer to Accsoon SEE App tutorial videos on Accsoon's official YouTube channel.



## Livestream Setting

There are two ways of using CineView 2 SDI for live streaming.

### 1. Livestream via UVC out

- ① Only the CineView 2 SDI's receiver has the UVC out port.
- ② Use a Type-C cable (user-provided) to connect CineView 2 SDI's receiver to a personal computer, then do livestreaming via streaming platforms.

When using the UVC interface for live streaming, support from live streaming platforms is required, such as OBS or YouTube.



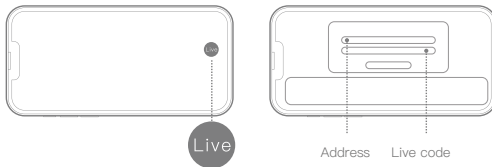
### 2. Livestream via Accsoon SEE

- ① Change CineView 2 SDI transmitter's setting to Speed Mode.
  - I. Press the menu button to access "Data Rate Setting".

- II. Press the right button to change to "Speed Mode".
- III. Press the menu button to activate the setting.

### ② Move to Accsoon SEE

- I. Open Accsoon SEE Enter CineView's monitoring page and tap "live".
- II. Enter streaming RTMP URL and code.
- III. Tap "Start Streaming".



Please refer to the official website where you want to do live streaming for instructions on how to obtain your live streaming URL and code.



## Firmware Update

Before the firmware update, please ensure that your mobile devices can access the Internet via Wi-Fi.

### Follow the steps below to update firmware:

1. Open the Accsoon SEE App, enter "CineView" page.
2. Tap ≡ to enter the setting page.
3. Tap "FIRMWARE UPDATE", and then the App will automatically search for the latest firmware on the server. If a new firmware is available, follow the instructions to download the latest firmware to your mobile devices.
4. Once the new firmware has been downloaded, connect your mobile devices to the transmitter → Tap "Next" on Accsoon SEE

App to update.



1. Make sure the battery level of CineView 2 SDI is above 50% before updating.
2. No power cuts allowed during the update process.
3. The CineView 2 SDI will reboot automatically when the update completed.
4. If you have any questions during firmware update, please refer to "Accsoon SEE App Tutorial – Firmware update" video on Accsoon's official YouTube channel.



## Specification

	Transmitter	Receiver
Video Input	HDMI/SDI	
Video Output	HDMI Loop-out	SDI/HDMI/UVC
SDI Input Format	1080p 23.98/24/25/29.97/30/50/59.94/60fps Level A/B	
HDMI Input Format	2160P/1080p23.98/24/25/29.97/30/50/59.94/60fps	
SDI Output Format		1080p 24/25/30/50/60fps Level A
HDMI Output Format	2160P/1080p23.98/24/25/29.97/30/50/59.94/60fps	1080p 24/25/30/50/60fps
DC Port	5.5mmx2.1mm Center Positive	
DC Voltage	7.4-16.8V	
Battery Compatibility	Support NP-F550, NP-F750, NP-F970	
USB-C Power Input	5V 2A	
Audio	44.1KHz/48KHz 16/20/24bit PCM	
Latency	< 0.05s (Camera latency not included)	
Transmission Power	23dBm	
Transmission Range	1500ft/450m (No obstacles, no interference)	
Power Consumption	<6W	<5W



Operating Environment Temperature	-10~40°C	
Dimensions (Antennas Not Included)	60mmx107mmx28mm	
Weight (Antennas Not Included)	210g	210g

## FAQ

### Receiver cannot connect to transmitter

1. Please make sure the transmitter and receiver are set to the same group.
2. Please check that the antennas are securely mounted.

### No video displayed

1. Please check whether the SDI/HDMI cable of the camera is correctly plugged into the corresponding port of the transmitter.
2. Please check if the video format and other information are shown on the display interface; if not, please check the cable and the SDI/HDMI video output of the camera.
3. Please check if the SDI/HDMI video format of the camera is compatible with the formats supported by the product.

### Choppy video

1. Please check that the antennas are securely mounted.
2. Please make sure there are no metals or cables around the antennas that can cause signal blocking.
3. Please switch to another channel manually.

### Mobile devices can't connect to CineView 2 SDI

CineView 2 SDI has two Wi-Fi signals, one is 2.4GHz and another is 5GHz. Please confirm that the mobile devices are connected to the 5GHz Wi-Fi, named "Accsoon\_\*\*\*\*".

### App fails to find the latest firmware

1. Please check if the Wi-Fi connection of your mobile devices can access the Internet properly.
2. Please check if the mobile devices have automatically connected to the CineView 2 SDI's Wi-Fi signal. If so, please change to another Wi-Fi connection that can access the Internet properly and try again.

## Warranty

### Warranty Period

1. If there is a quality problem that occurs within 15 days after receiving the product, Accsoon will provide complimentary maintenance or replacement.
2. Under proper use and maintenance, from the date of receipt, Accsoon will provide a one-year warranty on the wireless video transmission system and a three-month warranty on the accessories and cables. Free maintenance service is available during the warranty period.
3. Please keep the proof of purchase and the user manual in a safe place.

### Warranty Exclusions

1. Out of warranty (If the proof of purchase is not available, the warranty will be calculated from the date the product is delivered from the factory).
2. Damage caused by use or maintenance is not following the

requirements of the product manual.

3. Unauthorized repair, modification or disassembly.
4. Damage caused by force majeure such as fire, flood, lightning strike, etc..

## Warranty Process

1. Contact your local Accsoon authorized dealers for after-sales service. If there is no local authorized dealers, you can contact our customer service via our email (support@accsoon.com) or website (www.accsoon.com) and get appropriate support.
2. You will get detailed solutions from the authorized dealers or Accsoon.
3. Accsoon reserves the right to review the damaged product.

## Safety Information

1. When operating this equipment, read and follow all the instructions in this manual.
2. Use only accessories/batteries/chargers specified or recommended by Accsoon.
3. Do not expose to moisture, excessive heat or fire.
4. Keep away from water and other liquids.

## FCC Interference Statement

### Federal Communications Commission Interference Statement

This equipment has been tested and found to comply with the limits for a Class B digital device, pursuant to Part 15 of the FCC Rules. These limits are designed to provide reasonable protection against harmful interference in a residential installation. This

equipment generates, uses and can radiate radiofrequency energy and, if not installed and used in accordance with the instructions, may cause harmful interference to radiocommunications.

This equipment generates, uses and can radiate radiofrequency energy and, if not installed and used in accordance with the instructions, may cause harmful interference to radiocommunications.

However, there is no guarantee that interference will not occur in a particular installation. If this equipment does cause harmful interference to radio or television reception, which can be determined by turning the equipment off and on, the user is encouraged to try to correct the interference by one or more of the following measures:

- Reorient or relocate the receiving antenna.
- Increase the separation between the equipment and receiver.
- Connect the equipment into an outlet on a circuit different from that to which the receiver is connected.
- Consult the dealer or an experienced radio/TV technician for help.

## Contact us

🌐 Website: [accsoon.com](http://accsoon.com)

📘 Facebook: [Accsoon](#)

👥 Facebook Group: [Accsoon Official User Group](#)

📷 Instagram: [accsoontech](#)

📺 YouTube: [ACCsoon](#)

✉ Email: [support@accsoon.com](mailto:support@accsoon.com)

## Certificate of Quality

This product is confirmed to meet quality standards and permitted for sale after strict inspection.

QC Inspector: \_\_\_\_\_



## 合格证

本产品经严格检验符合标准，  
准予销售

检验员: \_\_\_\_\_

